

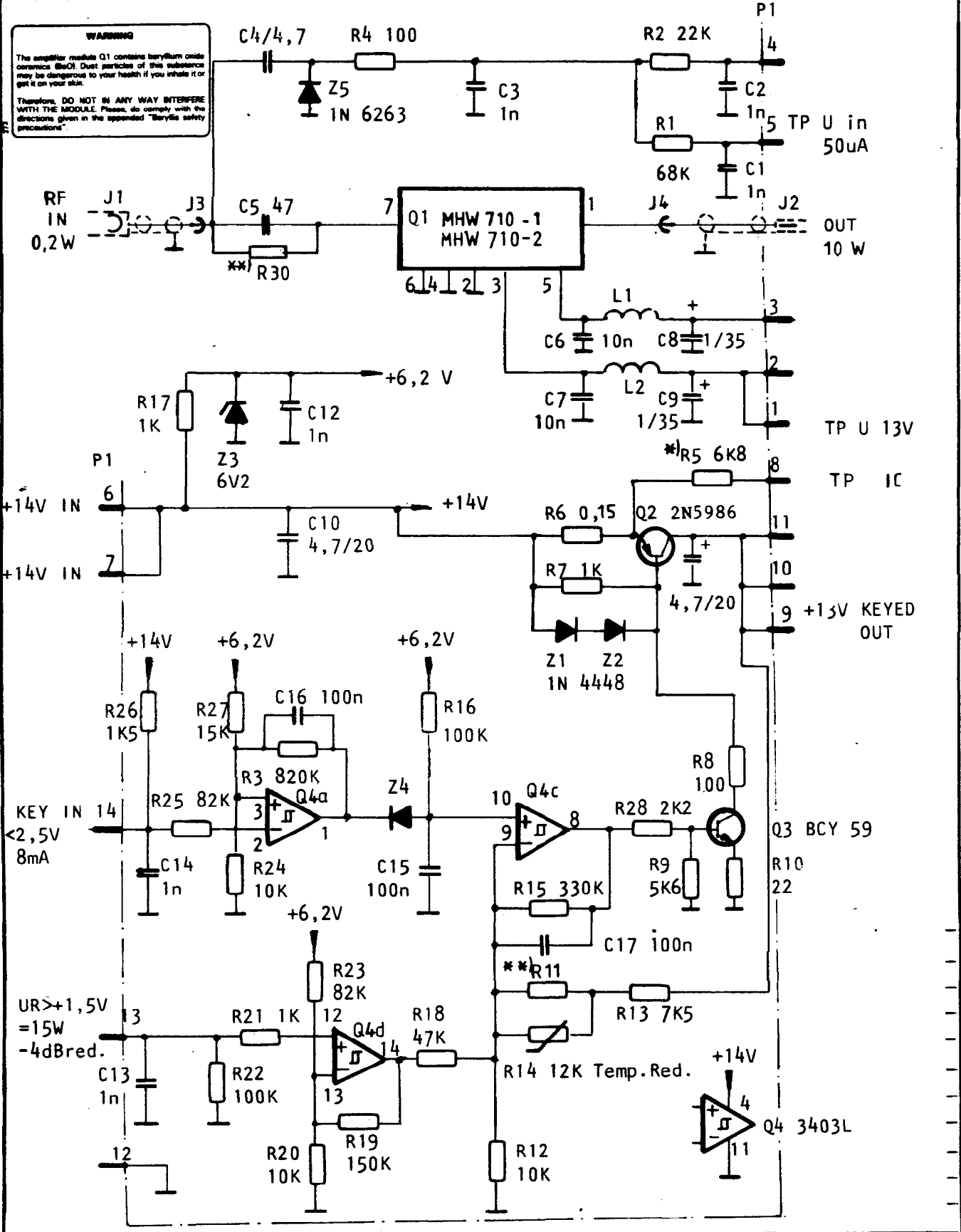
to be
 and the contents thereof must not be
 this party nor be used for any unauthorized pu
 nting-
 vention will be prosecuted.

Nr	Ant.	Ändring och/eller medd.-nr	Datum	Inf.	Godk.
1		*) PC2061C R5 = 4k02	820614		
2		**) Set R30,R11 at factory. Modified R6 = 0,2 to 0,15	820915		

WARNING

The amplifier module Q1 contains beryllium oxide ceramics BeO. Dust particles of this substance may be dangerous to your health if you inhale it or get it on your skin.

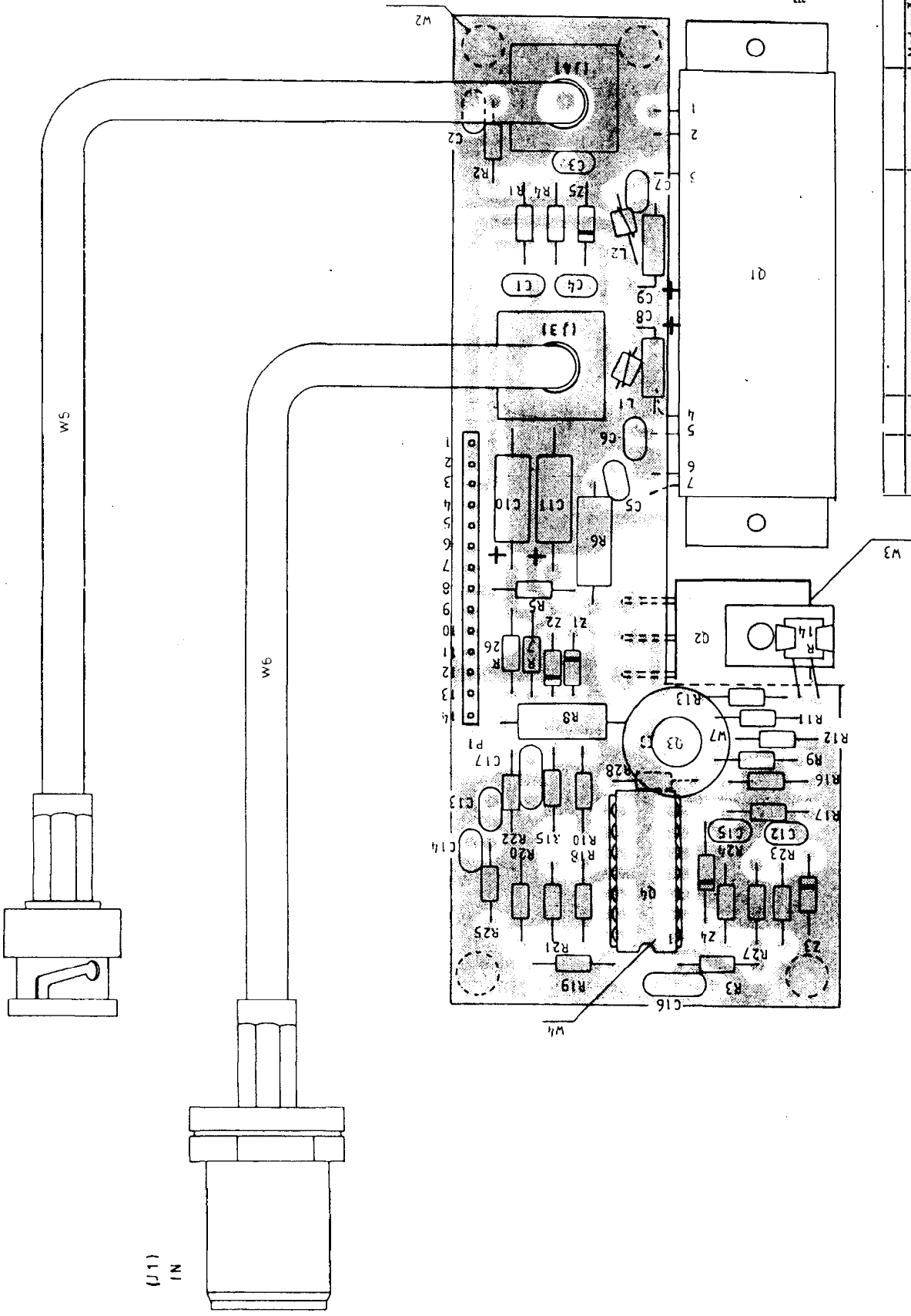
Therefore, DO NOT IN ANY WAY INTERFERE WITH THE MODULE. Please, do comply with the directions given in the appended "Beryllia safety precautions".



Det.-nr	Ant.	Benämning	Material	Mod.-nr Ämne Dimension	An m.	
Konstr.	Ritad BE/RL	Kop.	ERA/F/XTBR/BO	Godk. <i>Do</i>	Skala	Ersätter 310629
ERICSSON		DRIVER BOARD		PC 2061 A PC 2061 C PC 2051 A	Rev. D	Dat. 831114
					Ritn.-nr F/XT RS 20627	77

7361-44
MS 687 1.11

(J 2)
OUT



Varningsmärkning
 The supplier makes no express warranty with respect to the use of this product in any application other than that for which it is intended. Dust particles of the substance may be dangerous to your health if you breathe it or get it on your skin.
 Therefore, DO NOT IN ANY WAY INTERFERE WITH THE MODULE. Please, do comply with the directions given in the appended "Safety safety instructions".

Det.-nr	Ant.	Benämning	Material	Mod.-nr Ämne Dimension	A n m.
Kennr.	Ritad	ERA/FXTBR/BO	Godk. <i>TP</i>	Stakt	Erstat av
	BE/BEK	Rep.		2:1	810.06
ERICSSON Ericsson Radio Systems			COMPONENT LOCATION DRIVER CARD PC 2061 A PC 2051 A		
			Rev. C	Rev. nr	81207
				Dat.	81207
					FIXT RS 206 29

Nr/ Ant	Ändring och/eller medd.-nr	Datum	Inf.	Godk.	Ändring och/eller medd.-nr	Datum	Inf.	Godk.
---------	----------------------------	-------	------	-------	----------------------------	-------	------	-------

78

78

SMS 667 1:11

This document must not be copied, reprinted, or written in any way without the permission of Ericsson Radio Systems. The contents thereof must not be imparted to third party nor be used for any unauthorized purpose. No liability will be prosecuted.